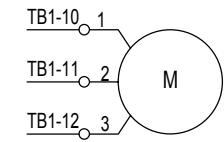
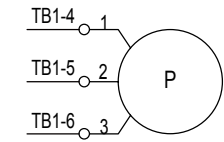


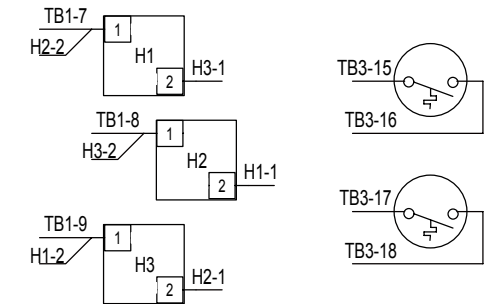
### AGITATOR MOTOR WIRING BOX



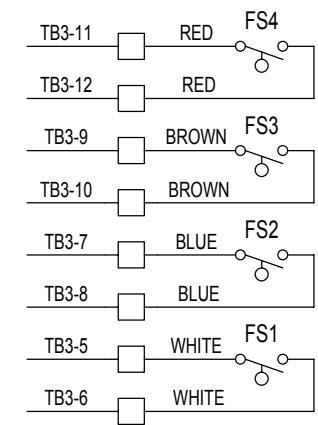
### PUMP MOTOR WIRING BOX



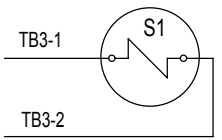
### HEATER ACCESS PANEL



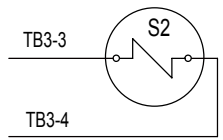
### FLOAT SWITCH WIRING BOX



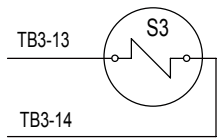
### INTAKE 1 SOLENOID



### INTAKE 2 SOLENOID



### DRAIN SOLENOID



**Simutech Multimedia Inc**

303-1306 Wellington St.  
Ottawa, ON, Canada

Project Description  
**Fluid Processing System (FPS 3000)**

Sheet Description  
**Power Panel with External Components CWD**

Designed by  
WRhude

Drawn by  
ASmith

Verified by  
KKnechtel

Date

Revisions

Project date

21/10/07

Sheet date

29/4/08